



## NDP-10 / NDP-15 Series Specifications

### NDP-10 Port Dimensions

Intake & discharge connection:  
 Polypropylene (PPG) 3/8" 10 mm Female BSPT

### NDP-15 Port Dimensions

Intake & discharge connection:  
 Polypropylene (PPG) 1/2" 15 mm Female BSPT  
 Kynar® (PVDF) 1/2" 15 mm Female BSPT  
 Groundable Acetal 1/2" 15 mm Female BSPT  
 Aluminum (ADC-12) 1/2" 15 mm Female BSPT  
 Stainless Steel (316) 1/2" 15 mm Female BSPT

### Air Inlet/Exhaust

Air inlet (incl. ball valve): 1/4" 5 mm Female BSPT  
 Air exhaust (incl. silencer): 3/8" 10 mm Female BSPT

### Maximum Liquid Temperature\*

Fitted with Teflon® (PTFE) diaphragm

Pump Material	Temperature
Neoprene	82° C (180° F)
Buna N	82° C (180° F)
Hytrel® (TPEE)	120° C (248° F)
Santoprene® (TPO)	100° C (212° F)
Viton® fluoroelastomer	120° C (248° F)
Teflon® (PTFE)	100° C (212° F)

\*The maximum liquid temperature for metal and Kynar®-fitted pumps is determined by the Elastomer (diaphragm material). Polypropylene and Groundable Acetal pumps have a maximum liquid temperature of 82° C (180° F) regardless of diaphragm material.

### Air Supply Pressure (All Models)

1,4 - 7 BAR (20—100 PSI)

### Discharge Volume Per Cycle

NDP-10: 50 cc (0.013 US gallons)  
 NDP-15: 128 cc (0.034 US gallons)

### Maximum Cycles Per Minute:

All diaphragms: 400

### Maximum Size Solid

1 mm (1/32")

### Maximum Size Solid

NDP-10: All diaphragms: 1,5 m (5 feet)  
 NDP-15: Flat-type check valve: 2,4 m (8-feet)  
 Ball-type check valve: 1,5 m (5-feet)

### Pump Air Motor

Ryton air motor standard

Notes: Hytrel®-fitted pumps include PTFE check Balls & wetted o-rings. Santoprene®-fitted pumps include EPDM check balls & wetted o-rings.



### NDP-10 Polypropylene

Dimensions: 185 mm W x 190 mm H  
 Net Wt.: 2,74 (6.1 lbs.)  
 Shipping Wt.: 3,5 kg (7.7 lbs.)

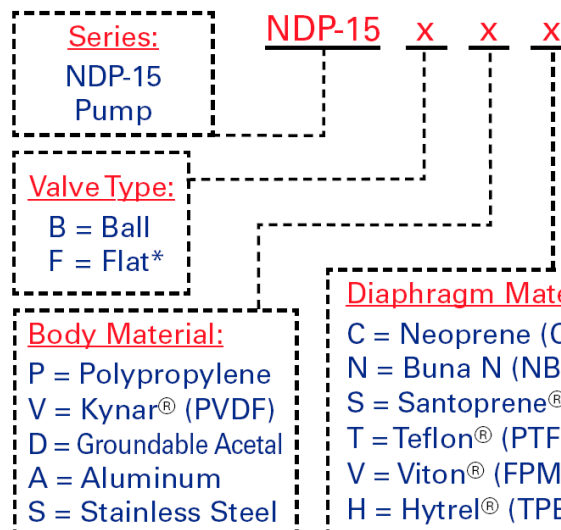
### Groundable Acetal

Dimensions: 220 mm W x 298 mm H  
 Net Wt.: 4 kg (9 lbs.)  
 Shipping Wt.: 5 kg (11 lbs.)

### Aluminum

Dimensions: 220 mm W x 272 mm H  
 Net Wt.: 4 kg (9 lbs.)  
 Shipping Wt.: 5 kg (11 lbs.)

### Model Number Nomenclature



### Polypropylene

Dimensions: 220 mm W x 298 mm H  
 Net Wt.: 3,5 kg (7.7 lbs.)  
 Shipping Wt.: 4,3 kg (9.5 lbs.)

### Kynar® (PVDF)

Dimensions: 220 mm W x 298 mm H  
 Net Wt.: 4,3 kg (9.4 lbs.)  
 Shipping Wt.: 5 kg (11 lbs.)

### Stainless Steel

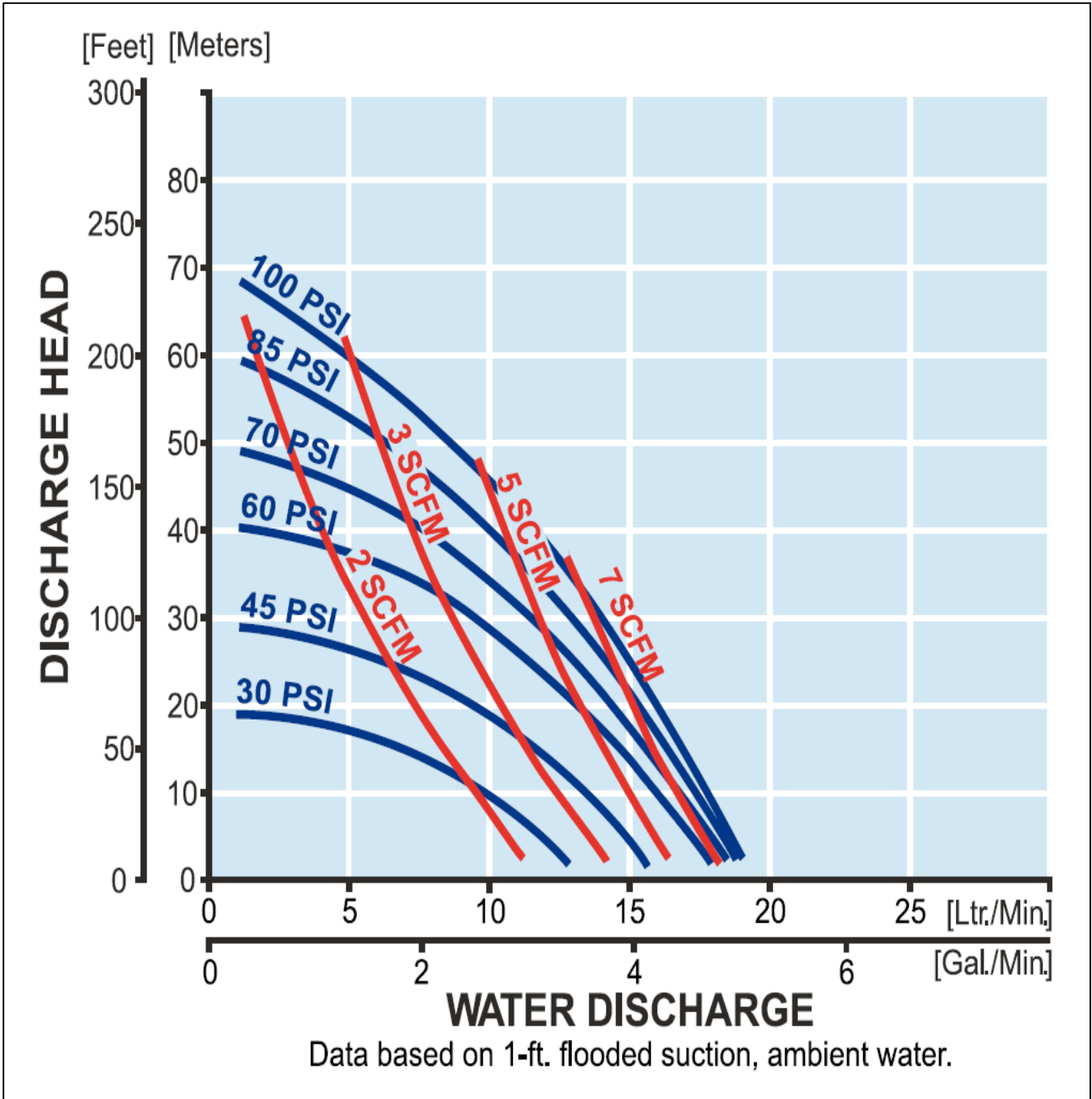
Dimensions: 212 mm W x 246,4 mm H  
 Net Wt.: 6,2 (13.6 lbs.)  
 Shipping Wt.: 7 kg (15.5 lbs.)

\*NDP-10 Polypropylene only.  
 \*Flat Valves are available for plastic pumps only.



## NDP-10 Performance Curve

### All Diaphragm Materials

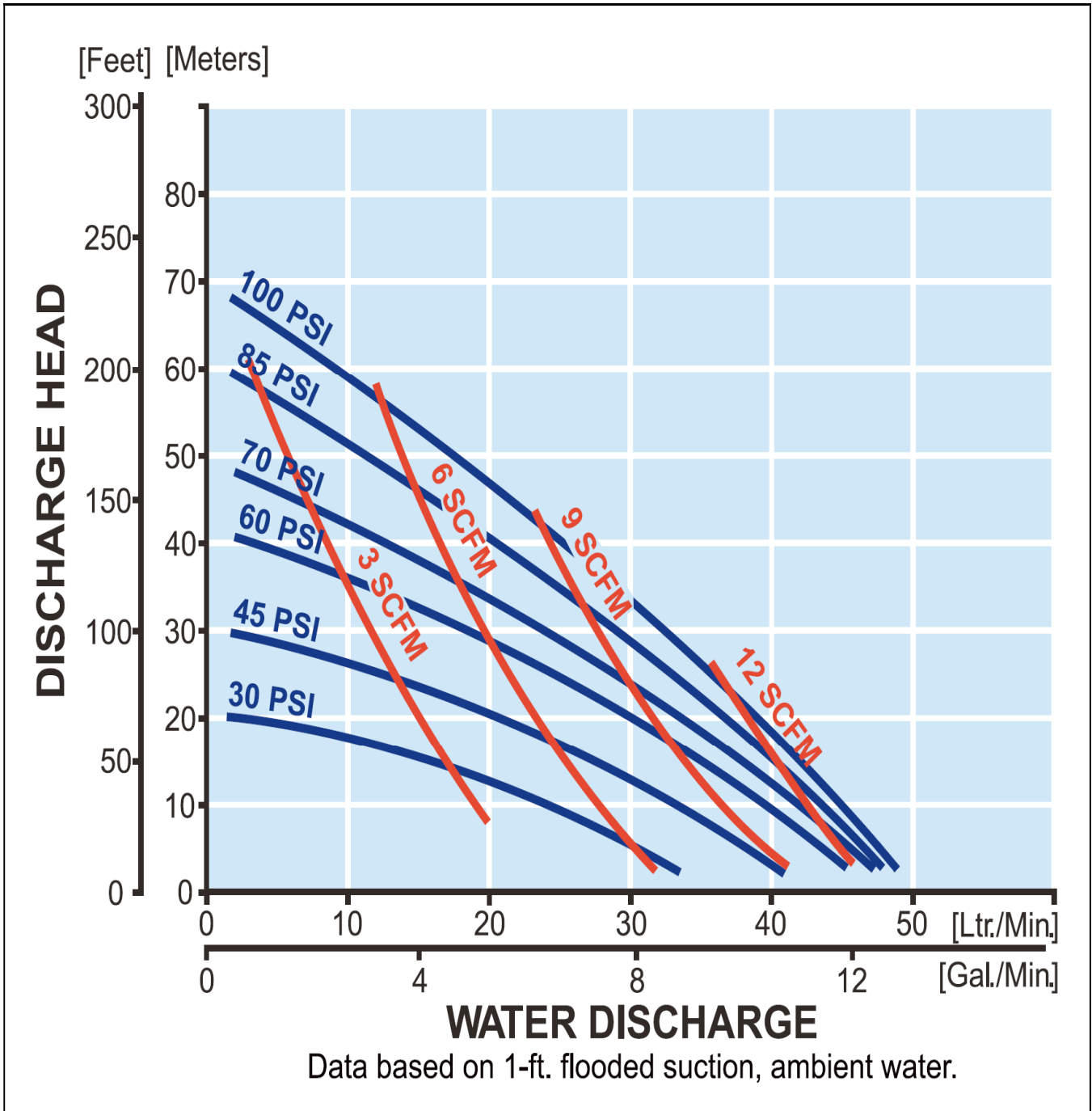


To calculate performance for Santoprene® and Hytrel®-fitted pumps, use Rubber Diaphragm Curve.

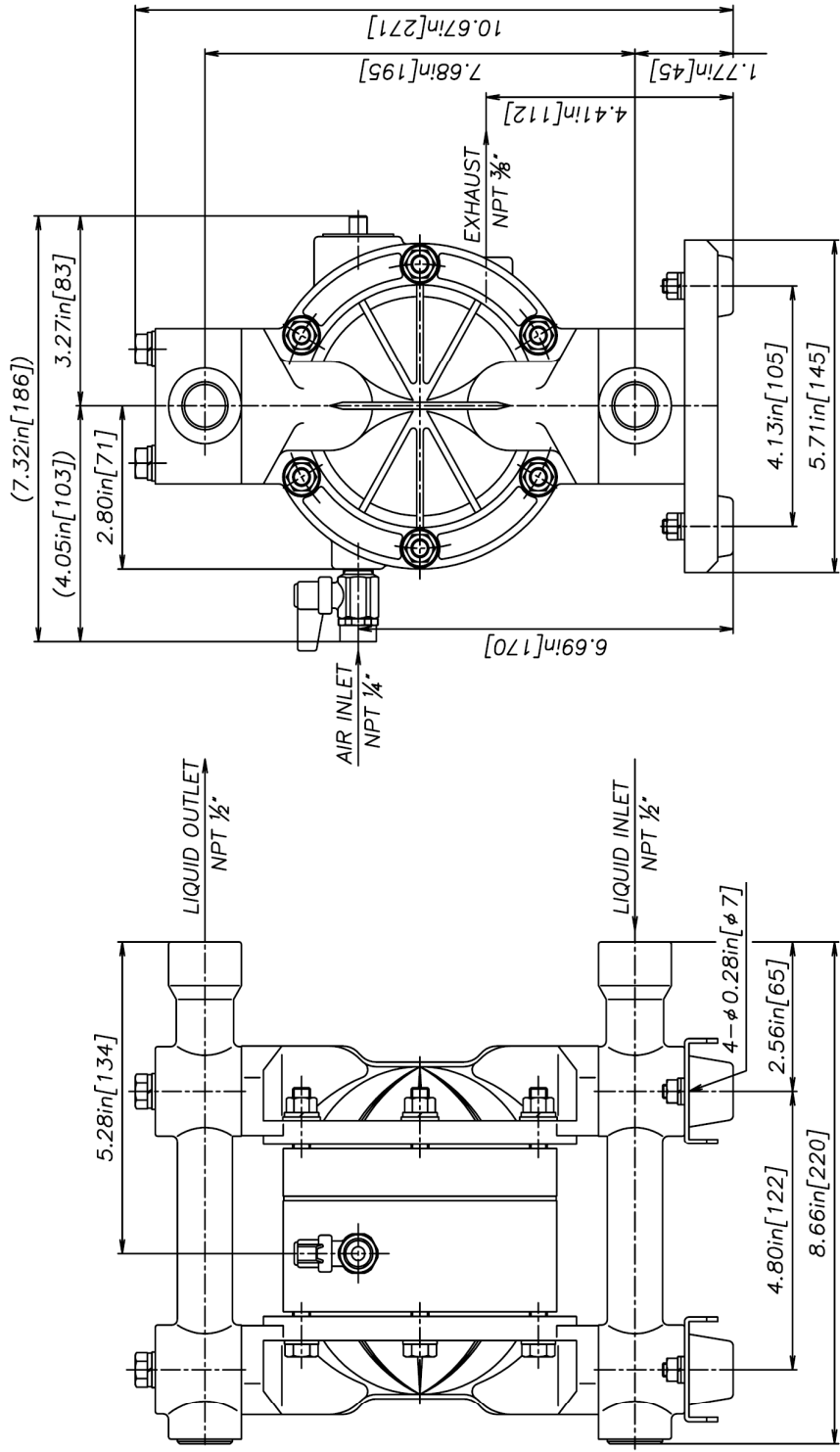


## NDP-15 Performance Curve - All Valves

### All Diaphragm Materials

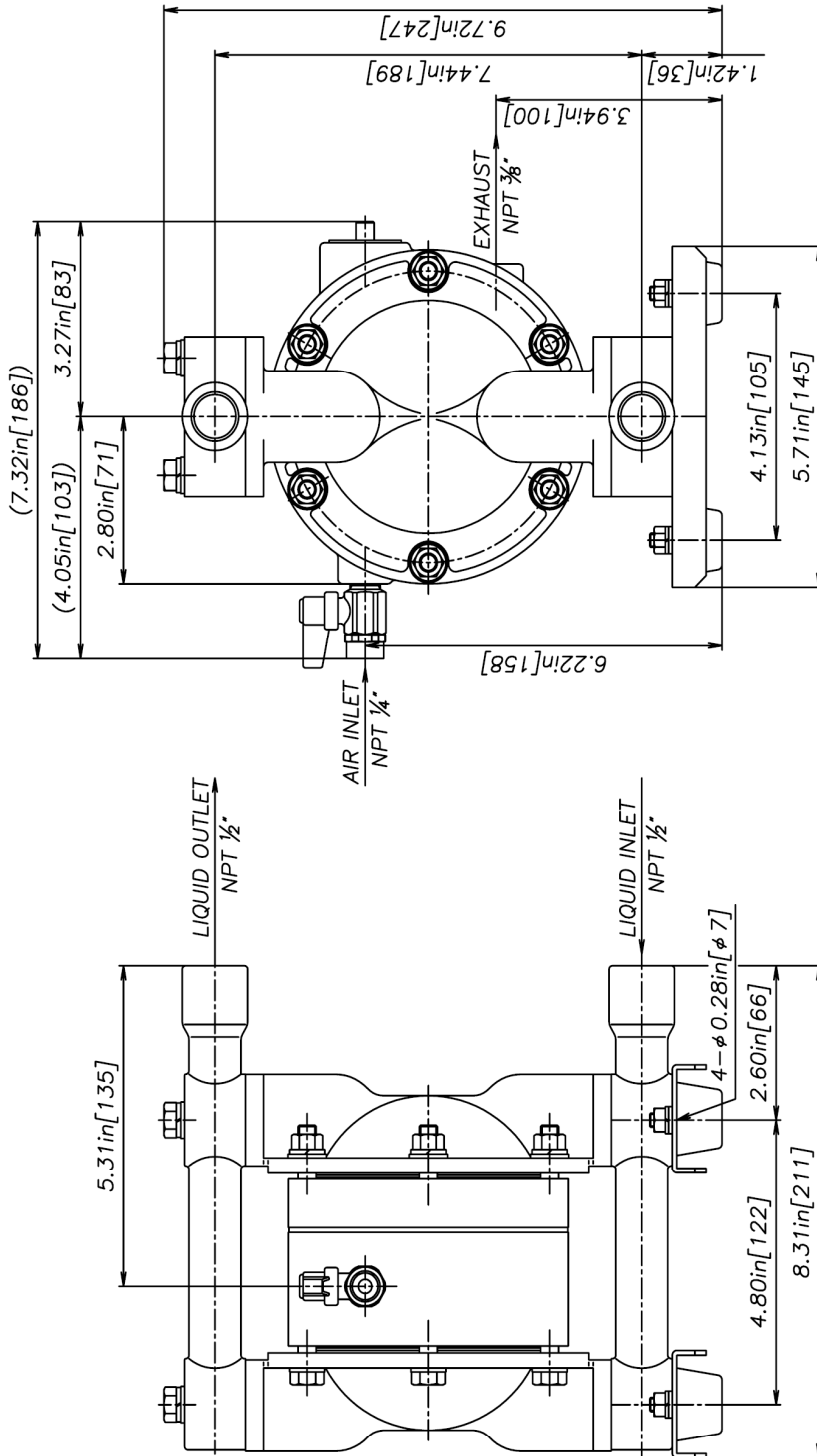


To calculate performance for Santoprene® and Hytrel®-fitted pumps, use Rubber Diaphragm Curve.



REV	DATE	DESCRIPTION	APPR'D
THE DWG. OF:			
<b>DIAPHRAGM PUMP ASSEMBLY</b>			
SCALE 1 : 1		DRAWN BY YJI	
DATE 02/08/06		APPROVED BY S.K.	
THIRD ANG. PROJ.	DRAWING NUMBER: NDP-15BA	REV 0	

**YAMADA AMERICA, INC.**  
 1200 NUCLEAR DRIVE - WEST CHICAGO, ILLINOIS 60185  
 TOLL FREE 800-990-7867 OR 630-231-4083  
 THIS IS A CAD DRAWING AND MUST NOT BE ALTERED MANUALLY.

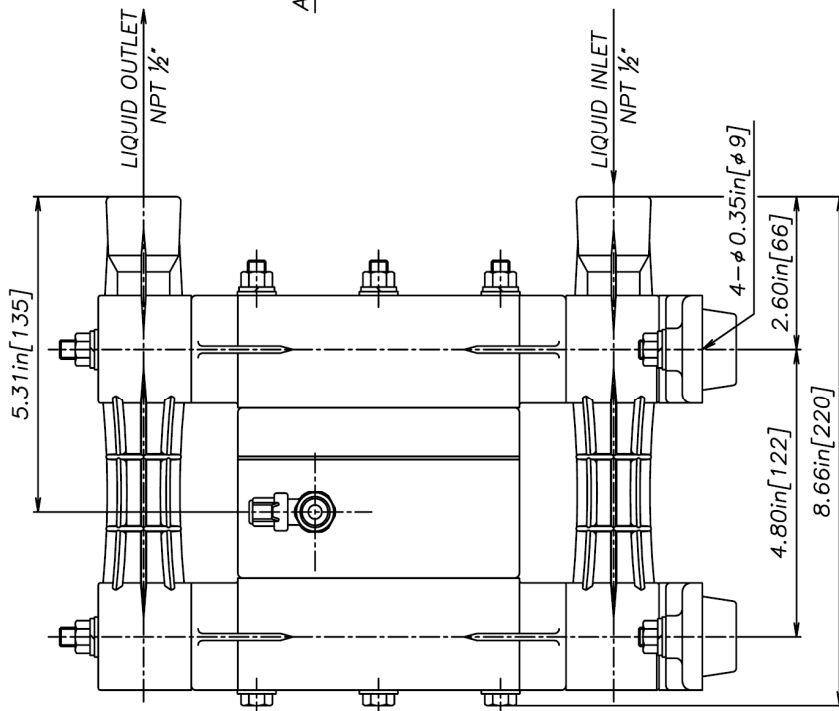
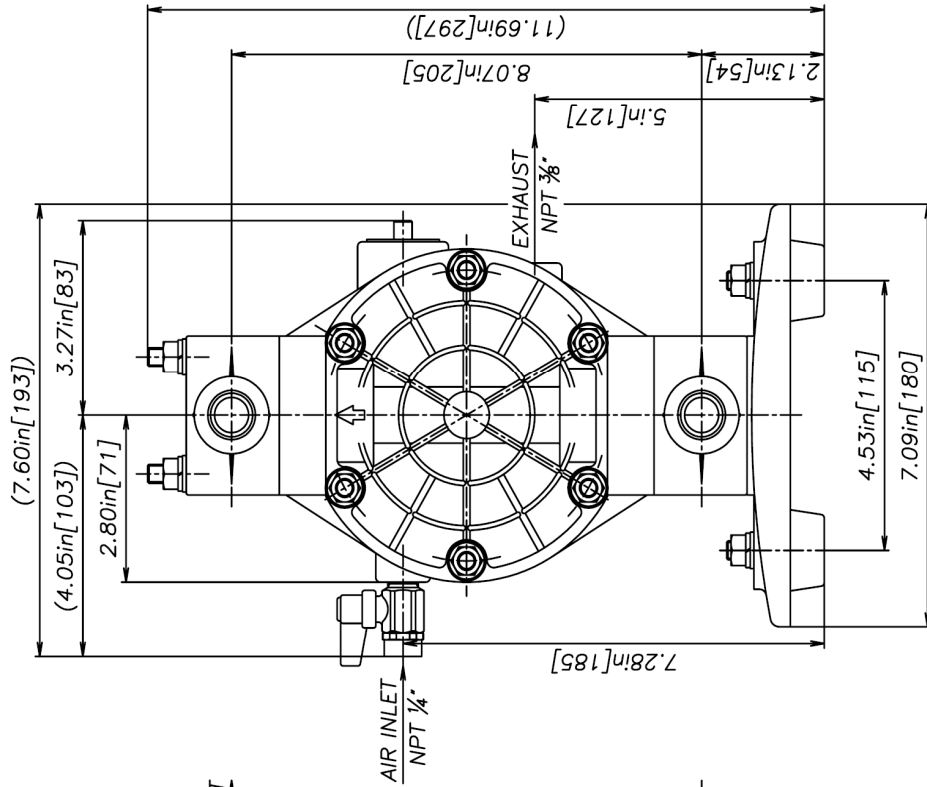


REV	DATE	DESCRIPTION	APPR'D
THE DWG.OF:			
<b>DIAPHRAGM PUMP ASSEMBLY</b>			
SCALE	1 : 1	DRAWN BY	YJI
DATE	02/08/06	APPROVED BY	S.K.
THIRD ANG.PROJ.	DRAWING NUMBER:	NDP-15BS	
REV			0

**YAMADA AMERICA, INC.**

1200 NUCLEAR DRIVE - WEST CHICAGO, ILLINOIS 60185  
TOLL FREE 800-990-7867 OR 630-231-4083

THIS IS A CAD DRAWING AND MUST NOT BE ALTERED MANUALLY.



REV	DATE	DESCRIPTION	APPROD
THE DWG.OF: <b>DIAPHRAGM PUMP ASSEMBLY</b>			
SCALE 1 : 1		DRAWN BY YJJ	
DATE 02/08/06		APPROVED BY S.K.	
THIRD	DRAWING NUMBER: <b>NDP-15F/B PLASTIC</b>		REV 0
ANG.PROJ.			

**YAMADA AMERICA, INC.**

1200 NUCLEAR DRIVE - WEST CHICAGO, ILLINOIS 60185  
TOLL FREE 800-990-7867 OR 630-231-4083

THIS IS A CAD DRAWING AND MUST NOT BE ALTERED MANUALLY.



AutoCAD® is a registered trademark of Autodesk, Inc.

Hytrel® is a registered trademark of E.I. du Pont de Nemours and Company.

Kynar® is a registered trademark of Arkema.

Nordel™ is a trademark of DuPont Dow Elastomers.

Ryton® is a registered trademark of Chevron Phillips Chemical Company.

Santoprene® is a registered trademark of Advanced Elastomers Systems.

Swagelok® & VCR® are trademarks of the Swagelok Companies.

Teflon® is a registered trademark of E.I. du Pont de Nemours and Company.

Viton® is a registered trademark of DuPont Performance Elastomers.

Due to Yamada's continued commitment to product improvement, specifications may change without notice.