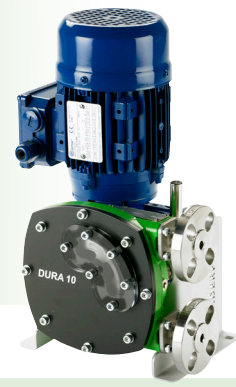


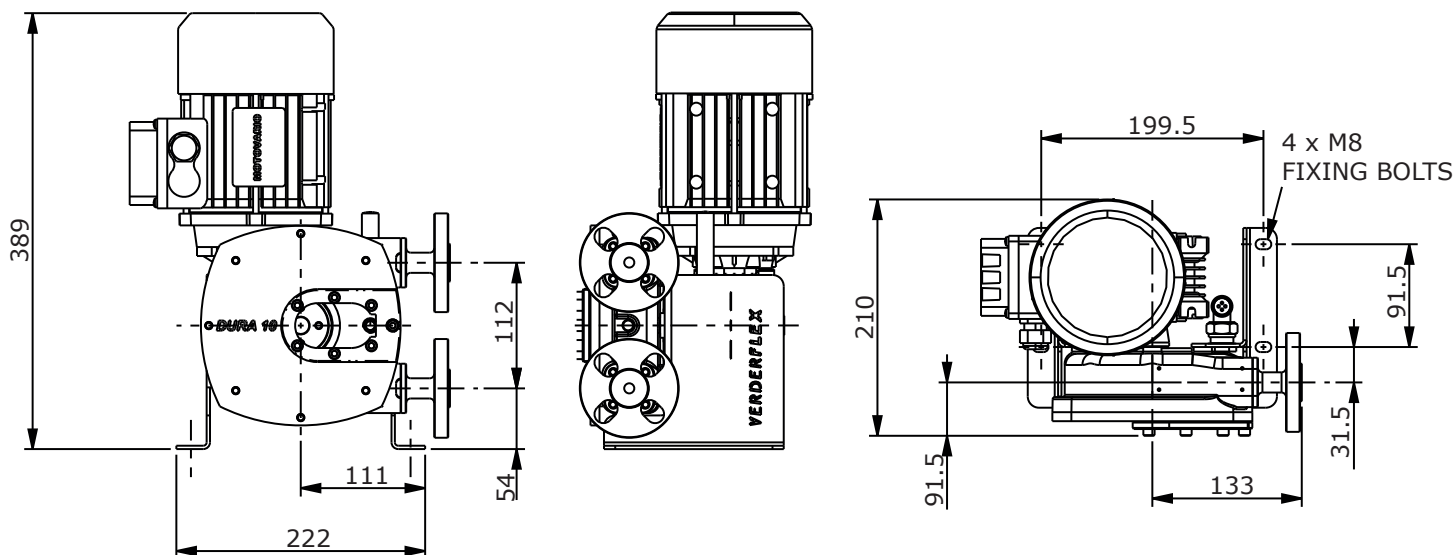
Verderflex Dura 10



VERDERFLEX®

Standard Materials of Construction

Description	Material	Paint Detail
Pump Housing	Cast Iron (GG25)	RAL 6018 (Green)
Front Cover	Powder Coated Carbon Steel with Polycarbonate Inspection Window	RAL 7021 (Black)
Rotor	Cast Iron (GG25) Option: Aluminium (LM25)	
Drive Shaft	EN24T Steel	
Flange	316 Stainless Steel Universal slotted design complies with DIN PN16, ANSI 150# & JIS10K Options: Polypropylene, PVDF & 316 Stainless Steel Hose Tail	
Base Frame	Powder Coated Carbon Steel	RAL 7035 (Grey)
Torque Arm	Carbon Steel	RAL 7021 (Black)
Bearing	Bearing Steel	
Shaft Seal	Viton Option: PTFE	
Lubricant	Verderlube - Glycerine based lubricant Verdersil - Silicone based lubricant	
Hose	Natural Rubber (NR) Options: Nitrile Buna Rubber (NBR) Ethylene Propylene Diene Monomer (EPDM), Food Grade Nitrile Buna (NBRF), Hypalon® (CSM) and Verderprene	
Weight	Complete pump excluding drive: 19 kg	



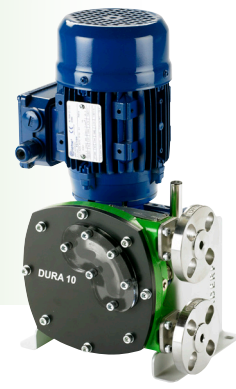
Standard Pump Options for 50Hz Motor Fitted With Worm Gearbox, Suitable for Inverter Duty

All dimensions are in mm.

All dimensions and weights are for guidance only.



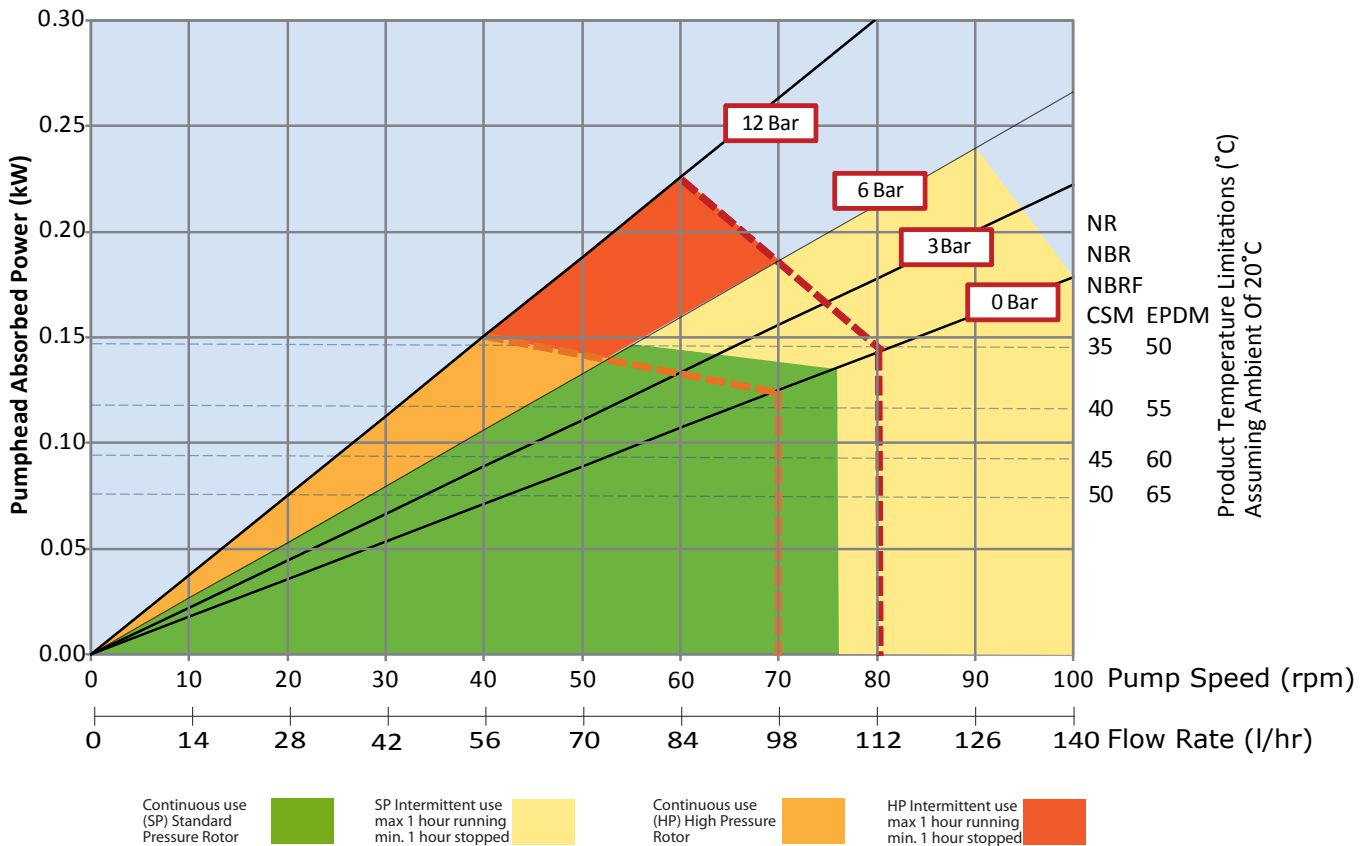
Verderflex Dura 10



Flow (l/hr)	Pump Speed RPM	Installed Motor Power kW	Max Turndown at 6 Bar discharge pressure
15	11	0.09	1.5:1
25	18	0.15	1.5:1
32	23	0.18	3:1
39	28	0.25	5:1
48	35	0.25	10:1
65	47	0.37	10:1
78	56	0.37	5:1
97	70	0.37	3:1

Any application below 15 Hz may require special review

Flows are typical and were measured with water at 20°C with no suction lift or discharge pressure. Actual flows will vary according to suction conditions, discharge pressure and normal component production tolerances.
DURA PUMPS OPERATING ABOVE 8 BAR REQUIRE CONSULTATION WITH MANUFACTURER OR DISTRIBUTOR



VF_Techno_Rev02_2012_(eu)

Find your local supplier
at www.verderflex.com

For construction installation and floor mounting drawings
please contact your local authorised Verderflex® distributor.

VERDER
passion for pumps